

Technical Data Sheet G Series

Basic Info

KSF G 66x650-1xM8	KSF G 66x550-1xM8
Nominal length (mm)	
650	550
Tube diameter (mm)	
66	66
Weight (kg)	
1.80	1.60
Item number	
20065	20055



KSF G 66x650-1xM8

Construction

- Continuous welded helix
- Coating: Hot-dip galvanized according to DIN EN ISO 1461
- Patented conical body forged from a single piece

Applications



Accessories



Special Granulate 500 g
Item No. 21823



Reduction Sleeve Set-G66
0.10 kg
Item No. 21806



Pivot Linkage Cover-G66
0.30 kg
Item No. 21804



Twisting Element-G 66
0.10 kg
Item No. 21839



Screwing Bar short
0.60 kg
Item No. 20070



Foundation Cap-G 66
0.20 kg
Item No. 21805



Cover Plate-G 66
0.10 kg
Item No. 21856

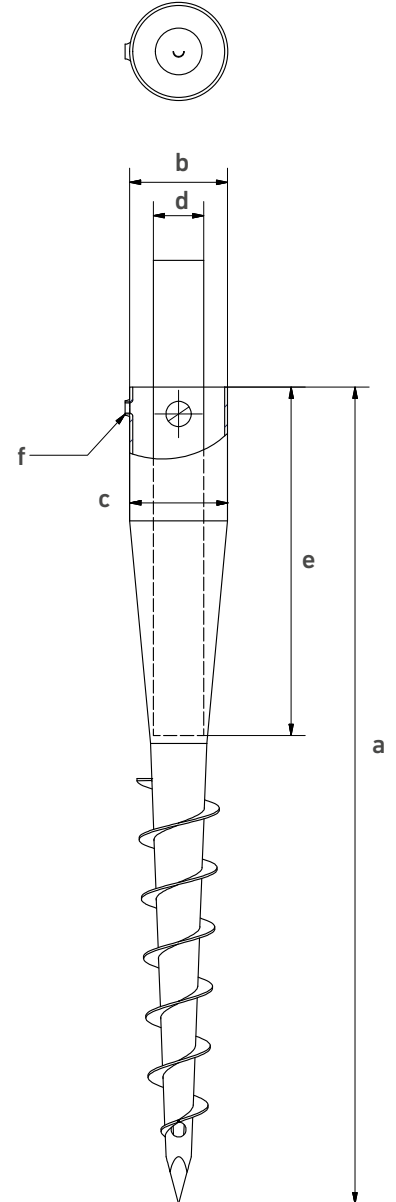
Subject to technical change!

Krinner Schraubfundamente GmbH | Passauer Straße 55 | D-94342 Straßkirchen
Phone: +49 9424 9401-80 | E-Mail: service@krinner.com | www.krinner.com

efficient · no concrete · durable

Technical Data

	KSF G 66x650-1xM8	KSF G 66x550-1xM8
a	Length (mm) (± 20 mm)	
	650	550
b	Shaft outer diameter (mm)	
	66	66
c	Inner diameter (mm)	
	62	62
d	Diameter setting (mm)	
	62 55.5 50 43 38.5 34	62 55.5 50 43 38.5 34
e	Depth setting (mm) (± 20 mm)	
	210 228 245 276 317 395	110 128 145 176 217 295
f	Thread	
	1 x M8	1 x M8



Online Service

KSF G 66x650-1xM8	KSF G 66x550-1xM8
-------------------	-------------------

Webkey

G2006511D

G2005511D



Subject to technical change!

Krinner Schraubfundamente GmbH | Passauer Straße 55 | D-94342 Straßkirchen
Phone: +49 9424 9401-80 | E-Mail: service@krinner.com | www.krinner.com