



STREETSUN – installation ground socket

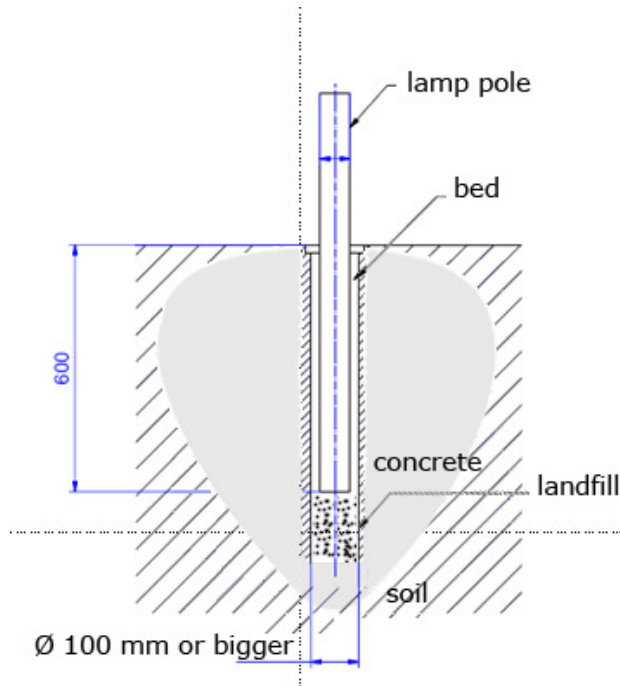


Fig.: Installation drawing ground socket

- Material: plastic or concrete tube 100 mm or bigger
- Solid embedding in concrete
- Fill up with gravel or sand to a height of 60 cm
- Place pole, centre to plumb
- Our 10 cm of sand or gravel into socket
- Compact with tamper (iron bar)
- Fill up with dry-batched aggregate, surface dia. Up to 40 cm

Tips and recommendations for the site selection:

In order to benefit of the highest possible solar electricity yield, you should consider the following points:

- no shading by trees, buildings, etc.
- greatest possible distance to trees
- protection against vehicles (parking or manoeuvring cars) through
 - selection of appropriate site
 - fixing of an additional protection on the pole, such as a metal frame

Preparation before installation into soil:

The following steps have to be made prior to installation into soil:

- get laying drawings of the following pipes and cables:
 - water and sewer pipes
 - gas pipelines
 - cable television lines
- account for flood protection measures in the soil
- verify the solidity of the soil/ground
- inspect the soil by means of a probe
- if needed, pre-treatment of the lower part of the pole with binding medium, e.g. "Agropox Kunststoffmörtel 94", 1 kg/10 kg packs sold in specialist shops, for more information, see: www.avenarius-agro.at